

Surgical Solutions

# The Standard for Versatility, Reliability and Quality

AMSCO® 3085 SP  
Surgical Table



One Integrated Approach to Healthcare

 **STERIS**

# One Table for Virtually Every Surgical Procedure

## Versatility for Every Surgical Specialty Means You Only Need One Table

The AMSCO 3085 SP surgical table deftly handles virtually all the surgical specialties you expect a general surgical table to handle, including:

- Urology
- Neurology
- Pediatrics
- Bariatrics
- ENT
- Endovascular
- Orthopedics (including skeletal traction, with accessories)

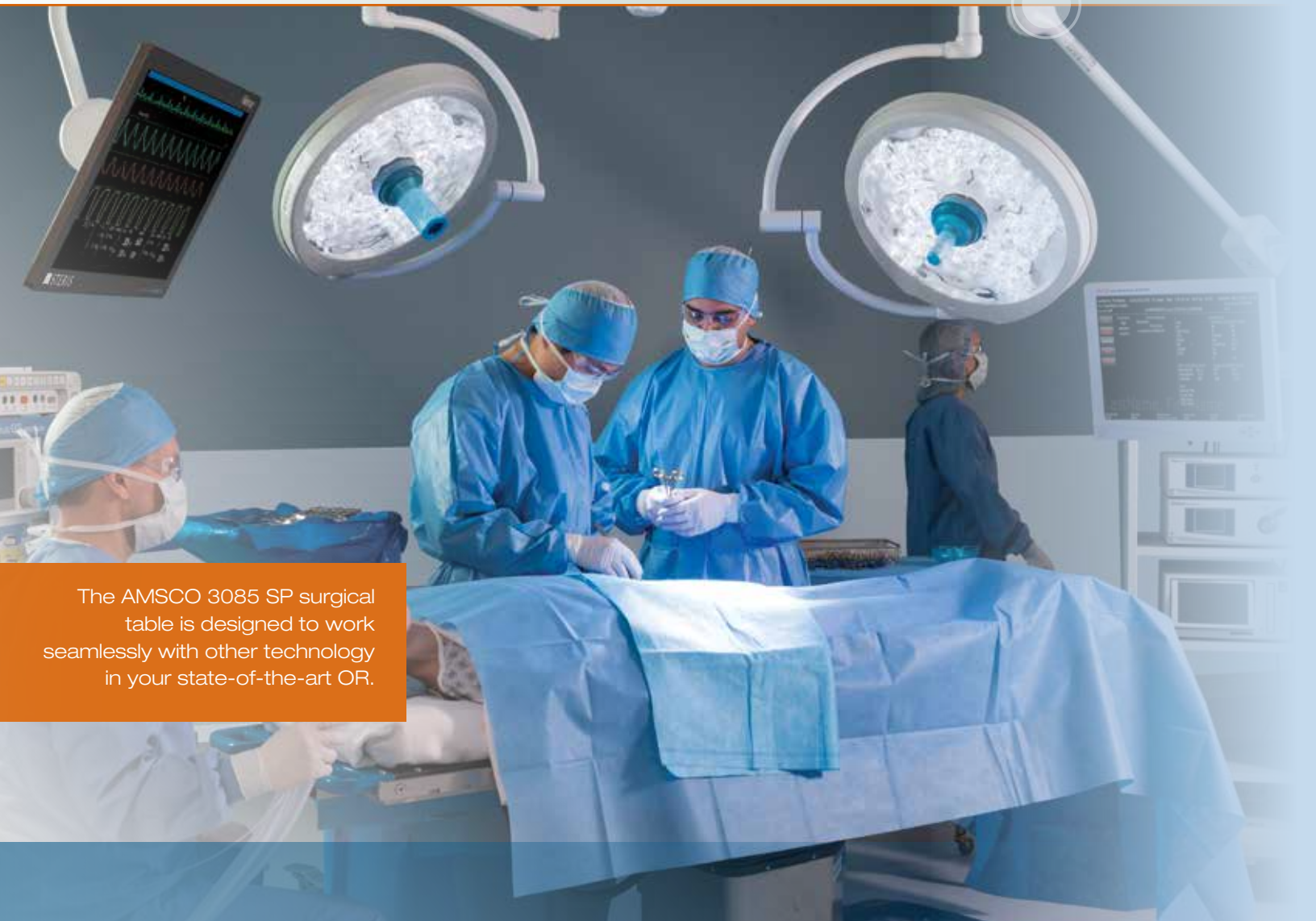
## Future-Ready to Meet Your Growing Needs

The AMSCO 3085 SP surgical table is available with ACT ENABLED® electronic interface circuits that work seamlessly with other technology in your state-of-the-art OR. This integration system agnostic technology enables seamless communication among virtually any vendor's equipment.

## Flexibility in Patient Positioning Allows Optimal Access to Patients

We've designed several productivity enhancements into the AMSCO 3085 SP surgical table to position patients precisely where the surgeon prefers.

- Automatic conversion of functions for reverse patient positioning, regardless of headrest location means commands are automatically interpreted according to the selected orientation.
- Bieri hydraulics provide ultra-precise tabletop articulation for specialties such as urology and neurology. Tabletop movement is smooth and accurate through the full range of positions.
- With the addition of the orthopedic extension, the AMSCO 3085 SP surgical table pulls traction and provides positioning flexibility for hip and lower extremity orthopedic procedures.
- T-shaped pedestal design and reverse orientation provide optimal access to the patient by the entire surgical team, regardless of the procedure.



The AMSCO 3085 SP surgical table is designed to work seamlessly with other technology in your state-of-the-art OR.

# AMSCO® 3085 SP Surgical Table

**Streamlined radiolucent tabletop** offers easy C-arm access and complete upper and lower body image amplification (IA) coverage.



**Battery-powered auxiliary control switches** provide complete override capability during any emergency.

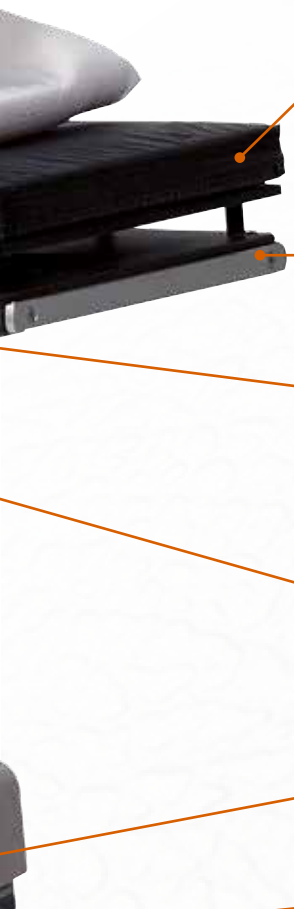
**Advanced Bieri hydraulics** achieve precise articulation and stability in positioning.

**Foot control** (optional) provides hands-free raising and lowering, Trendelenburg, reverse Trendelenburg and lateral tilt positioning.

**Self-compensating floor locks** adjust automatically for uneven surfaces, firmly fixing table in place.

\*Note: Made without natural rubber latex TLT pads and can be ordered with X-ray tops. TLT pads and X-ray tops can also be ordered separately.





Made without natural latex **Tri-Layer Technology (TLT) pads** to help reduce the incidence of pressure sores that may occur during lengthy procedures.\*

**X-ray top** is designed so that cassettes can be loaded from the head, foot, or either side for a full range of exposure angles.\*

**Intelligent hand control** with "orient patient" function automatically interprets positioning commands according to the selected orientation.

**Manually operated kidney elevator** rises 4" (102 mm) from tabletop and enables staff to physically feel pressure applied to patient, reducing chances of overextension.

**T-shaped table base** facilitates surgical team access, while radiused edges make it easy to clean.

**Easy-glide casters** provide excellent mobility.



Intuitive, lightweight hand control is ergonomically designed for easy, one-handed operation



FOOT PUMP



AUXILIARY CONTROL

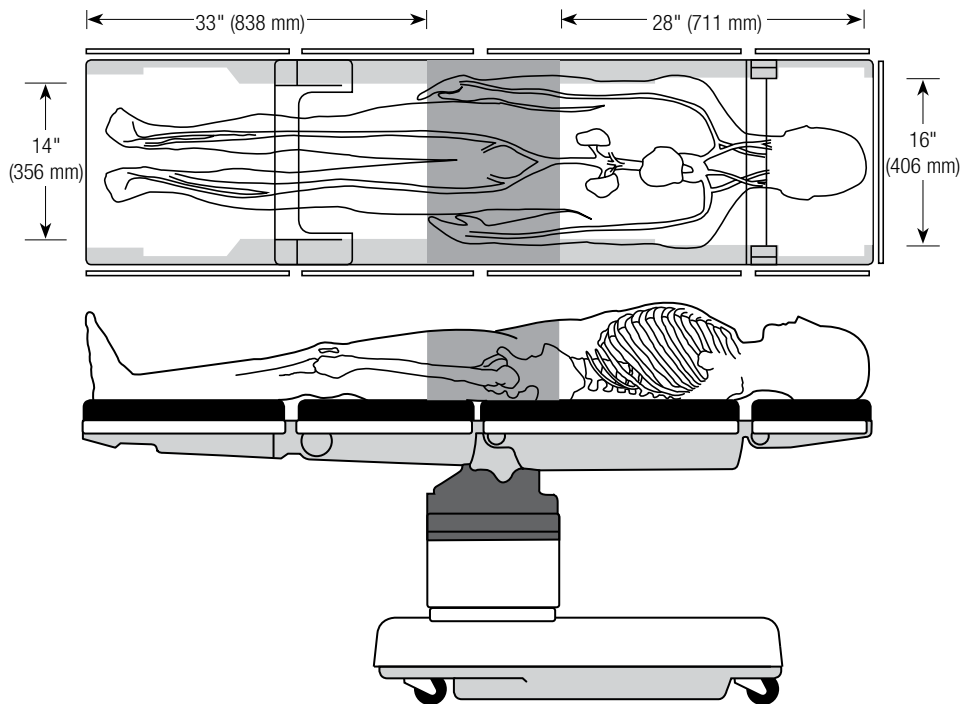
Complete override protection during power outages. A manual foot pump ensures a second source of auxiliary power, and auxiliary control provides backup for the hand and foot controls



# Exceptional Image Amplification Coverage

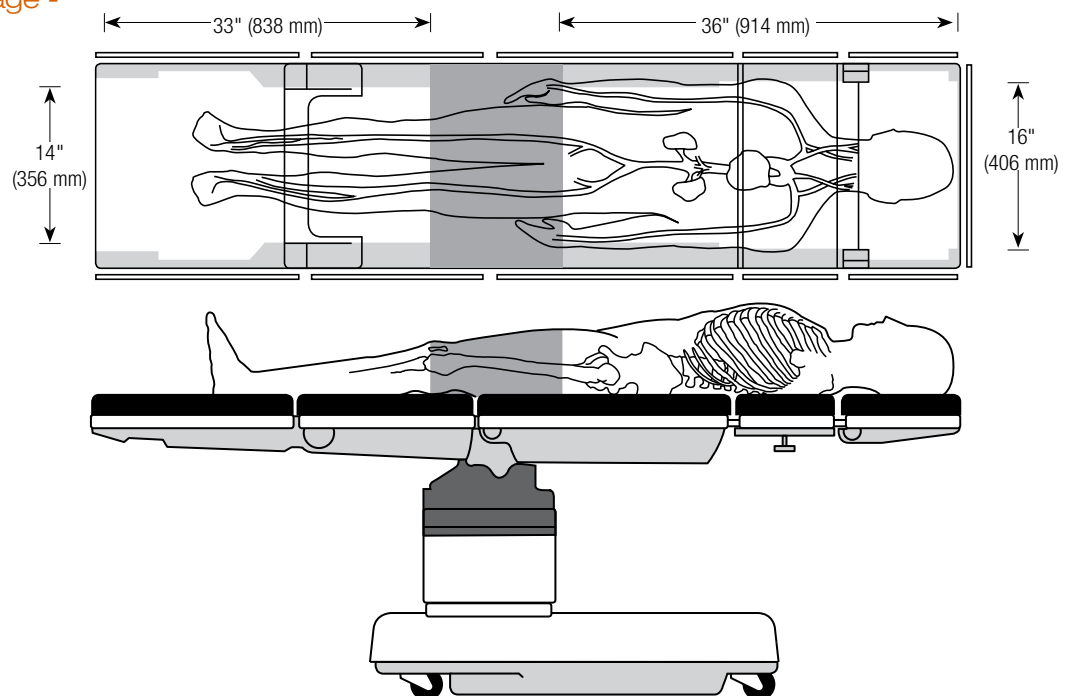
## Standard Upper and Lower Body IA Coverage - Normal Patient Orientation

- Pacemaker insertions
- Hickman catheters
- Broviac insertions
- Shunts
- Lung biopsies
- Cholangiography
- Lower limb procedures

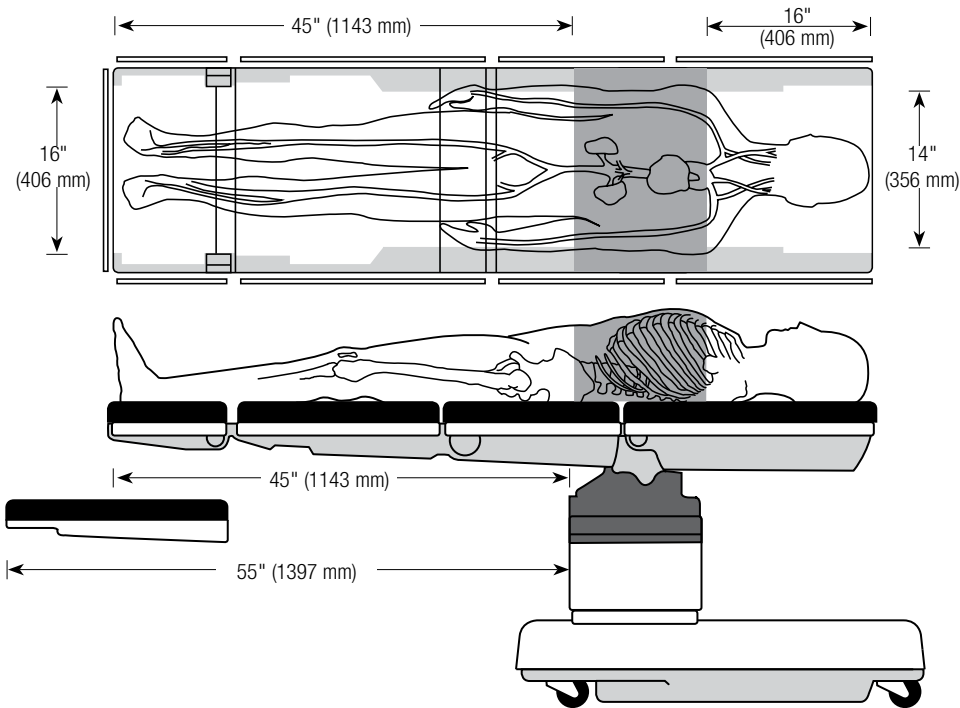


## Extended Upper Body IA Coverage - Normal Patient Orientation with IA Extender

- Pacemaker insertions
- Hickman catheters
- Broviac Insertions
- Shunts
- IVC Filters
- Cholangiography
- Lung biopsies
- Implantable defibrillation
- Endoscopy



## Radiolucent Tabletop Helps Ensure Superior Fluoroscopic Imaging



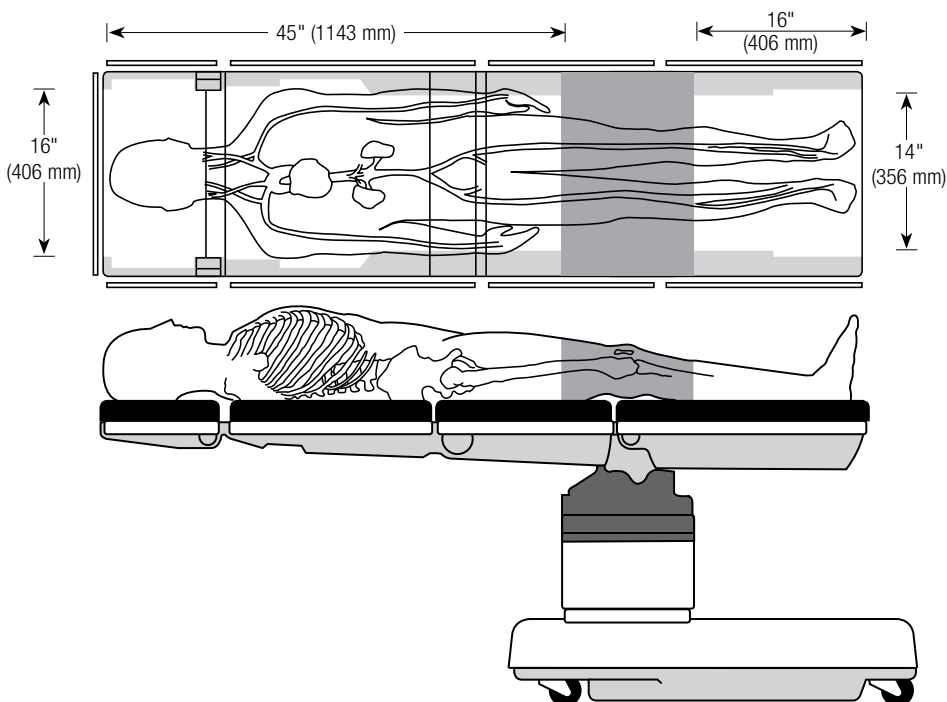
### Extended Lower Body IA Coverage - Normal Patient Orientation with Head Section Reversed

- Lower body arterial imaging
- Lower limb, non-traction orthopedic procedures
- Total hip revisions

### And, with the addition of Fem/Pop Board

- Femoral/popliteal bypass
- Laser angioplasty

Addition of Fem/Pop Board adds 10" (254 mm) to lower body coverage.



### Upper Body IA Coverage - Reverse Patient Orientation with Head Section Reversed

- Pacemaker insertions
- Cholangiography
- Spinal
- Endourology
- Total hip revisions
- Endoscopy

## Gain Traction for Orthopedic Procedures

When the mobile, radiolucent orthopedic extension is in place, the AMSCO 3085 SP Surgical Table has the position flexibility of an orthopedic surgical table for procedures such as hip pinning, intramedullary nailing, and tibia and fibula surgery. Further highlights include:

- Abductor bars feature two-section construction for lower extremity positioning flexibility to accommodate patient size (up to 400 lbs/181 kg) and condition, without compromising image quality or C-arm access
- The stainless steel accessory cart functions as a convenient platform for docking, undocking and storage of the abductor bars, and also provides ample storage for orthopedic accessories

## 3085 SP Surgical Table Specifications

Features	AMSCO® 3085 SP Table
Table Length	76" (193 cm)
Table Width	20" (51 cm)
Table Height Range	27" to 44" (68.6-111.8 cm)
Patient Weight Capacity	1,000 lbs (454 kg) - normal orientation 500 lbs (227 kg) - side tilt & reverse orientation
Table Shipping Weight	918 lbs (416 kg) electric - powered 920 lbs (417 kg) battery-powered X-ray tops add 40 lbs (18 kg) to shipping weight
<b>Upper Body Imaging Area</b> Normal orientation (28" x 16") Normal orientation with IA extender (36" x 16") Reverse orientation, head section reversed (45" x 16") Reverse orientation, 36" carbon fiber fluoro extension (36" x 20")	448 sq in (2890 cm <sup>2</sup> ) 576 sq in (3716 cm <sup>2</sup> ) 720 sq in (4645 cm <sup>2</sup> ) 720 Sq in (4645 cm <sup>2</sup> )
<b>Lower Body Imaging Area</b> Normal orientation (33" x 14") Normal orientation, head section reversed (45" x 16") Normal orientation, 36" carbon fiber fluoro extension (36" x 20") Normal orientation with Fem/Pop board (55" x 16")	462 sq. in. (2980 cm <sup>2</sup> ) 720 sq. in. (4645 cm <sup>2</sup> ) 720 sq. in. (4645 cm <sup>2</sup> ) 880 sq. in. (5678 cm <sup>2</sup> )
Hand control features	Normal/reverse orientation button Return to level button
Trendelenburg / Reverse	25° / 25°
Lateral Tilt (left/right)	18° / 18°
Head Section	+90° to -90°
Back Section	+55° to -25° (normal) +80° to -105° (reverse)
Leg Section	+80° to -105° (normal) +55° to -25° (reverse)
Flex/Reflex	20° / 25°
Manual Override	Yes
Perineal Cut-out	Yes
Kidney Elevator	4" (10 cm.) manual
Battery-powered models	ST010101 standard table ST010102 table with X-ray top
Electric-powered models	ST010201 standard table ST010202 table with X-ray top

## Strong Support for Your Heaviest Patients

All AMSCO 3085 SP surgical tables are rated to support 1,000 pounds (454 kg) in normal orientation, and to raise, lower and posture the patient using the standard table controls, with the exception of side tilt. The table is compliant to UL2601-1, CSA M601.1, EN 60601-1 and EN 60601-2-46.



**Important note:** Refer to the AMSCO 3085 SP Operator Manual furnished with the table concerning proper use and operation of the table.

For more information, contact your STERIS representative or visit [www.steris.com](http://www.steris.com).



STERIS Corporation  
5960 Heisley Road  
Mentor, OH 44060-1834 · USA  
800-548-4873  
[www.steris.com](http://www.steris.com)